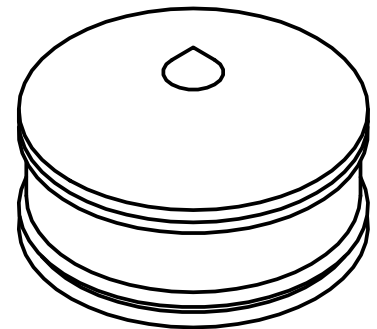
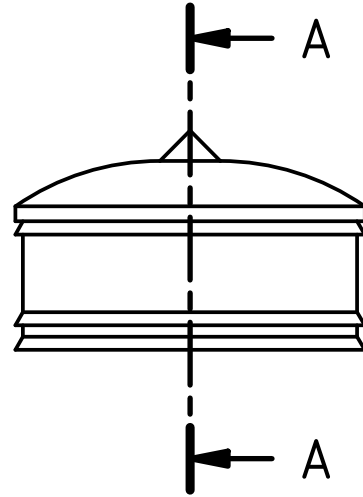
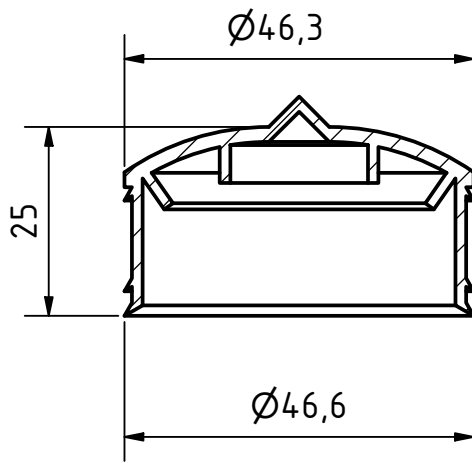


A-A (1 : 1)



Gewicht: 6,6 g

Weight 6,6 g



Misch- und Dosieretechnik GmbH
mixing and metering

Georg-Fleischer-Straße 6
66914 Waldmohr
Germany
fon +49 (6373) 819980
fax +49 (6373) 8199820
email info@t-s-i.de
web www.t-s-i.de

Ersatz für:
(substitute
for)

not calculating edges
0,5 x 45° broken

xxx=here mark part

general tolerance
DIN ISO 2768 m + K

This drawing may be neither
copied nor be made
accessible unauthorized.

For the rest, the regulations
about the legal protection
count to copyrights and
our AGBs.

draw.	day	name	checked	approved	Maßstab (scale)	format
21.01.22	SK	-	-	1 : 1	A4	
change Nr.					Werkstoff (material) LDPE	
day					Zuschnitt (cutting) -	
name					Oberflächenbehandlung (surface treatment) -	

Stückliste Nr. (parts list)

Benennung (description)

Zeichnungsnummer (drawing number)

Kolben Kartusche 310 ml leicht

0001-4900-0310KL